

Maestro Opus Pedicure Chair



SECTION 1: SAFETY INFORMATION

Safety Symbols

Familiarize yourself with the following Safety & Warning symbols. They are designed to prevent damage and injury to you, your clients, and your new Continuum product.

IMPORTANT: The important safety instructions and warnings in this manual cannot cover all possible problems and conditions that can occur. Use common sense and caution when installing, operating, or maintaining this appliance.



Indicates an imminently hazardous situation which could result in serious or fatal injury.



Indicates a potentially hazardous situation which could result in serious injury.



Indicates a potentially hazardous situation which could result in equipment damage and/or injury.

IMPORTANT SAFETY INSTRUCTIONS - FOR COMMERCIAL USE ONLY

Read all instructions before using this product.



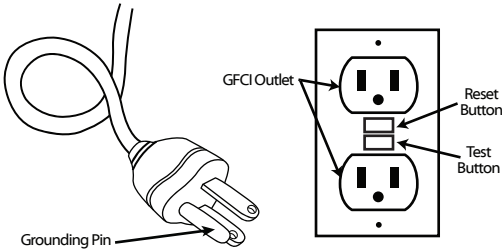
INSTALLATION INSTRUCTIONS / GROUNDING INSTRUCTIONS

1. RISK OF ELECTRIC SHOCK. Connect only to a circuit protected by a ground-fault circuit-interrupter (GFCI).

2. Grounding is required. The unit must be installed by a licensed electrician and grounded.

This product must be grounded. If it should malfunction or break down, grounding provides a path of least resistance for electric current to reduce the risk of electric shock. This product is equipped with a cord having an equipment-grounding conductor and grounding plug. The plug must be plugged into an appropriate outlet that is properly installed and grounded in accordance with all local codes and ordinances.

Improper connection of the equipment-grounding connector can result in a risk of electric shock. Check with a qualified electrician or serviceman if you are in doubt as to whether the product is properly grounded. Do not modify the plug provided with the product - if it will not fit the outlet, have a proper outlet installed by a qualified electrician.



See User Manual for all safety information and warnings pertaining to use of this product.

SECTION 2: PRODUCT OVERVIEW

Product Specifications

Length	61.25" (156 cm)
Width	36" (92 cm) 44.75" (113 cm), with side trays
Overall Height	52" (132 cm)
Seat Height	23.5" (60 cm)
Net Weight	310 lbs (141 kg)
Weight Capacity	300 lbs (136 kg)
Basin Capacity	5.7 gallons (22.3 liters)
Construction	Welded steel frame with veneered wood panels or Formica® laminate; completely sealed to prevent delamination, ABS cover panels
Basin	Glass, pre-plumbed
Jet system	One (1) standard NoPipe™ jet; removable screen and impeller, no recirculation pipes
Massage	Relaxor heat & massage
Chair Controls	Technician's keypad: Seat forward/back, leg support height (left & right). Electronically controlled, low voltage.
Armchair	Right Side: Seat forward/backward, tilt, and recline Left Side: Handheld Relaxor control wand Left Side: Chair release lever - manual operation, locks and unlocks chair to allow swivel

SECTION 3: INSTALLATION

Important Installation Notes

- All pedicure chairs **MUST** be installed by a licensed electrician and a licensed plumber in accordance with all national, state, and local codes/regulations.
- Failure to comply with these codes and/or regulations will result in the limited warranty being null and void.
- Your chair will not operate properly unless it has sufficient water pressure and temperature, proper drainage and adequate electrical power.
- **ANY INSPECTIONS OR APPROVALS ARE THE SOLE RESPONSIBILITY OF THE PURCHASER. PRIOR TO INSTALLATION, ONE SHOULD CONTACT THEIR LOCAL BUILDING INSPECTOR TO MAKE SURE ALL LOCAL CODES ARE COMPLIED WITH.**
- **IMPORTANT:** Client's ventilation intake needs to pull a minimum 80 CFM at the chair's connection point to achieve 50 CFM from open vent.

Install to Permit Access for Servicing

In order to ensure access after installation, please refer to installation drawings available at MyContinuumPedicure.com

Installation Instructions

EXTREMELY IMPORTANT: Each pedicure chair **MUST** be anchored to the floor. This is especially critical if pedicure chair is gravity drained with or without air gap. There are two (2) black mounting brackets supplied with each pedicure chair for this purpose. **Your warranty is null and void if pedicure chair is not properly secured to finished floor.**

- **Location & Support:** The floor structure must be level and capable of supporting the occupied pedicure chair. Refer to installation drawings at MyContinuumPedicure.com
- **DEPENDING ON THE USE OF MANICURE TRAYS AND/OR CARTS, THE EXACT DISTANCE BETWEEN PEDICURE CHAIRS WILL VARY GREATLY. THIS MUST BE DISCUSSED PRIOR TO ORDERING PEDICURE CHAIRS. THIS WILL ENSURE PROPER INSTALLATION AND ADEQUATE WORKING SPACE.** Please contact Continuum Footspas if additional information is required.
- When determining distance between back edge of unit and finished wall, it should be noted chair does recline. To ensure chair does not touch back wall, please review "Installation Drawings" for suggested minimum clearances.

Step 1: Utilizing a level, carefully adjust the six (6) leveling feet. It is extremely important that your pedicure chair is level. (Note: All leveling feet have been factory adjusted prior to shipment. In most cases no further adjustment should be necessary). The entire pedicure chair may be raised or lowered slightly to ensure the technician's chair touches the front stainless steel guard and not the wood or Formica®.

Step 2: Mounting brackets are to be used on only two (2) of the four (4) main frame leveling feet. Slotted portion of the mounting bracket fits between frame and the leveling foot (one in front, one in back, opposite of each other). The flat portion with holes should be positioned to the floor. Use appropriate hardware to secure to the floor (not supplied).

SECTION 3: INSTALLATION

Electrical Requirements

- UNITED STATES: 120V AC, 15 Amp, 60HZ. A separate and dedicated 120V, 60HZ, 20 amp GFCI protected grounded circuit MUST be used to supply power to each pedicure chair. Failure to do so renders the Limited Warranty null and void.
- INTERNATIONAL: 220V AC, 15 Amp, 50HZ. A separate, 220V, 50HZ, 20 Amp GFCI protected grounded circuit MUST be used to supply power to each pedicure chair. Failure to do so renders the Limited Warranty null and void.
- **Note: IF INSTALLED IN CANADA THIS UNIT MUST BE IN ACCORDANCE WITH THE CANADIAN ELECTRICAL CODE, PART 1.**

Plumbing Requirements

- All plumbing connections must conform to all national, state and local codes.
- Shut-off valves are strongly recommended per plumbing codes.
- Maximum water temperature must not exceed 105°F (41°C)
- Hot/Cold water supply and drain connections are located in the back of pedicure chair.
- When utilizing optional factory installed drain pump, in-line backflow prevention is provided.
- If pedicure chair is plumbed utilizing drain pump and drain hose; the drain hose connecting the pedicure chair to the wall connection (drain) must be 3/4" ID.

Incoming: Hot/Cold supply lines required (1/2" ID).

Sprayer/Filler: Inline backflow prevention is provided.

Discharge: Gravity drain or optional factory install drain pump. If factory drain pump is utilized, built-in backflow prevention is provided.

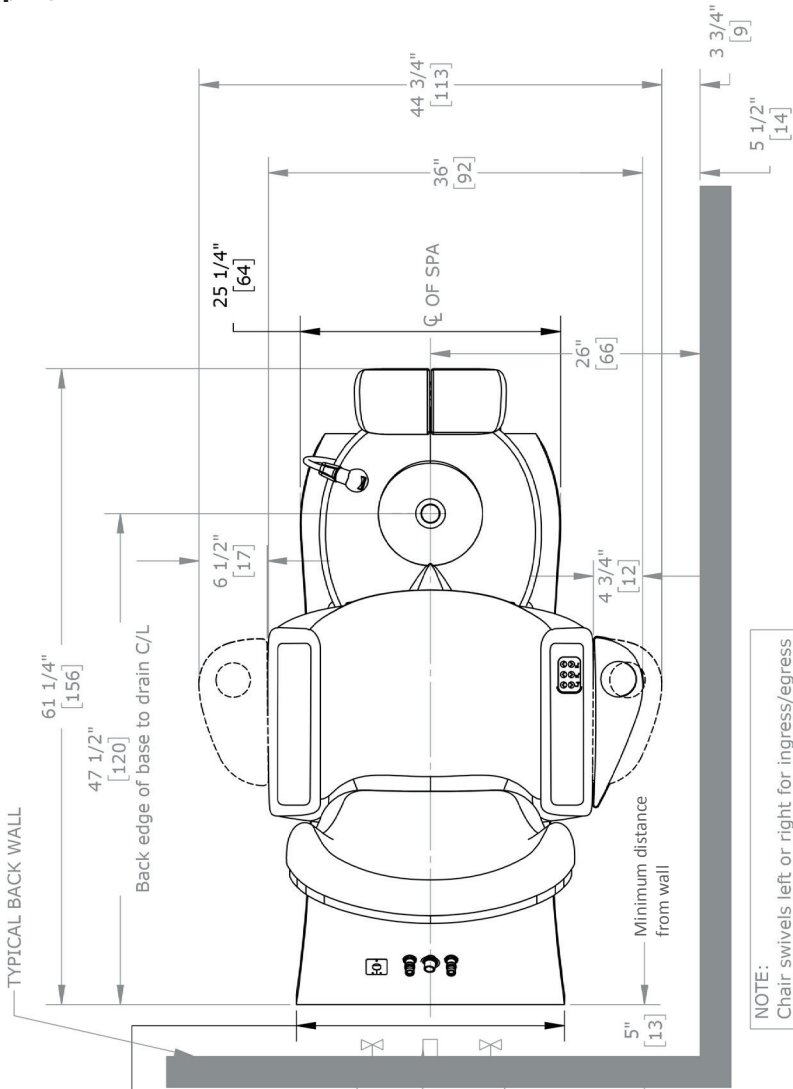
Two drain pump sizes available: Standard = 8' Head, High Capacity (optional) = 16' Head

Size of supplied plumbing fittings:

- Hot/Cold water supply: 1/2" NPT (male)
- Drain Pump: 3/4" NPT (male)

SECTION 3: INSTALLATION

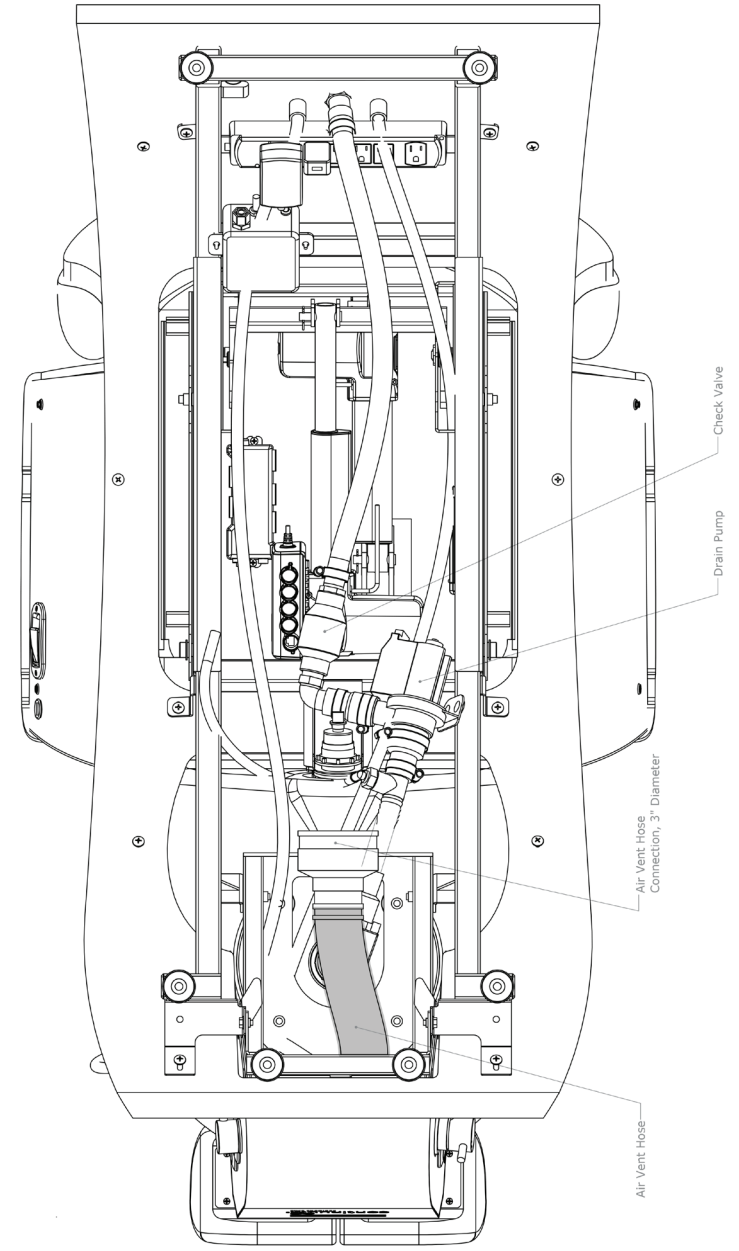
Top View



NOTE:
 Chair swivels left or right for ingress/egress
 Manicure trays are optional.
 Cupholder is standard.

SECTION 3: INSTALLATION

Bottom View - Shrouds Removed





Contact Us

Continuum
990 Joshua Way
Vista, CA. 92081
(877) 255-3030
(760) 597-5707 Int'l
orders@continuumpedicure.com

Hours of operation:

Monday - Friday
8:00 a.m. to 5 p.m. PST

Saturday - Sunday
Closed

Visit us online at: mycontinuumpedicure.com



Join us on
Facebook



Follow us on
Twitter



Follow us on
Instagram



Connect with us
on Linked In